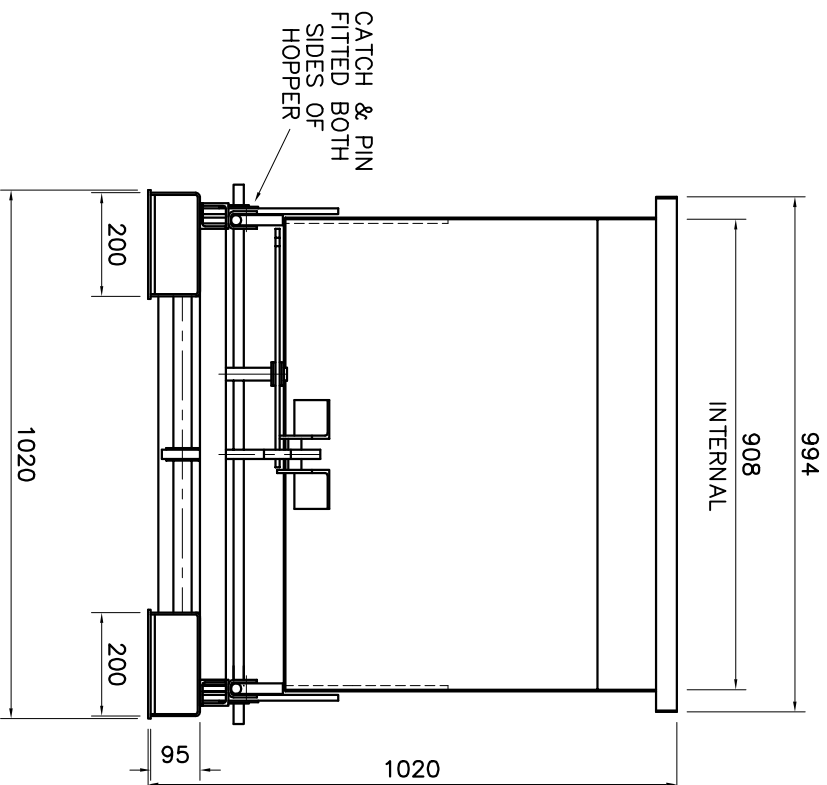
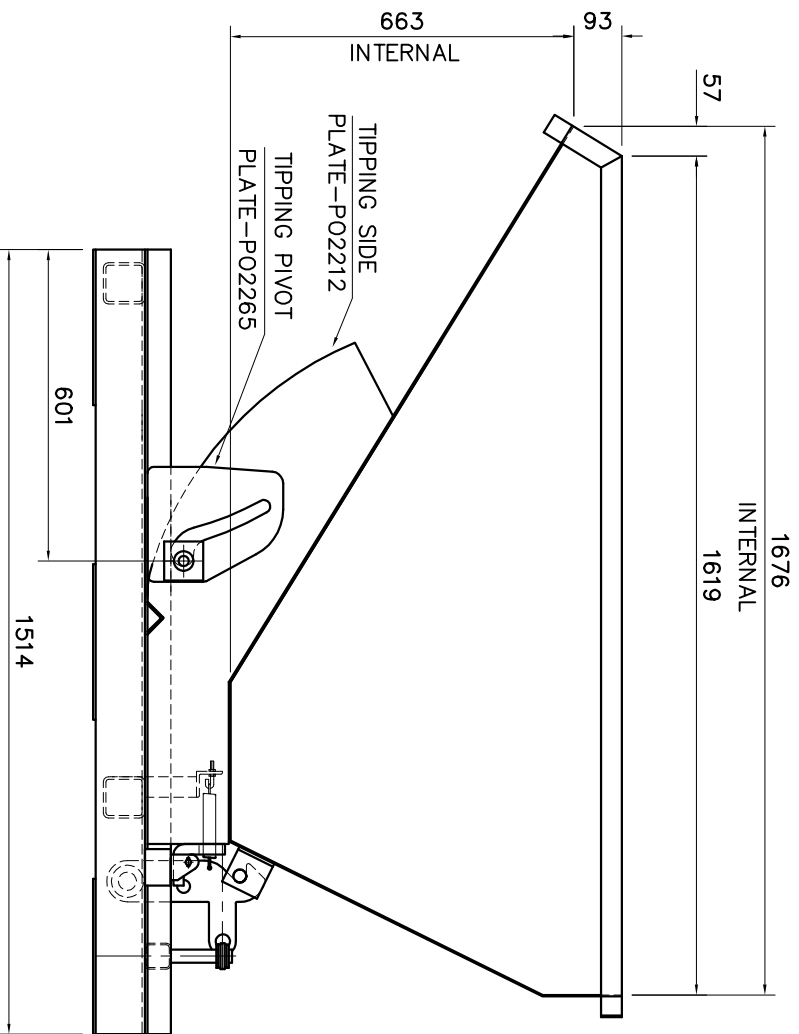


NOTES
 1) ALL PLATES TO BE FULLY WELDED, STIFFENERS TO BE STITCHED.

DIMENSION IN MILLIMETRES EXCEPT WHERE NOTED

| YES/NO | DESCRIPTION | DRG.No. |
|--------|--------------|------------|
| | ROPEHOOKS | THR10A |
| | CASTORS | |
| | LIFTING LUGS | THLLO2A |
| | PVC SHEET | THSHEET01A |

| ITEM DESCRIPTION | DRAWING NO |
|-------------------|------------|
| PLATE DETAILS | 10YTH03B |
| STIFFENER DETAILS | 10YTH03C |
| SUBFRAME DETAILS | 10YTH03D |
| TIP DETAILS | 10YTH03E |
| LOCKING DETAILS | 10YTH03F |



F:\TIPHOP\10YTH03A



ENGINEERING LIMITED
 CHADDERTON . OLDHAM
 LANCASHIRE

This drawing is the property of Sellers Engineering Ltd and must not be copied, reproduced or used for any purpose whatsoever, except that for which it is supplied without the express written consent of the company. We reserve the right to alter this drawing without notice.

| REV. | 1 | 2 | 3 | 4 | 5 |
|---------|---|---|---|---|----|
| DATE | | | | | |
| INITIAL | | | | | |
| ECR | | | | | |
| REV. | 6 | 7 | 8 | 9 | 10 |
| DATE | | | | | |
| INITIAL | | | | | |
| ECR | | | | | |

QTY:

ORDER No :

DRAWING NAME :

1 CU YD FORKLIFT TIPPING HOPPER
 - G.A. DRG

CLIENT :

DRG. No. : 10YTH03

| SCALE | 1: 10 |
|------------|------------|
| PROJECTION | |
| DRAWN | A.K. |
| CHECKED | A.B.S. |
| NAME | DATE |
| | 10/01/2000 |

| SHT | REV |
|-----|-----|
| A | 0 |