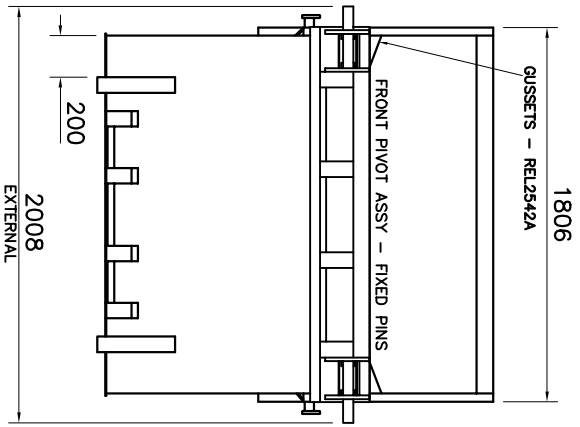
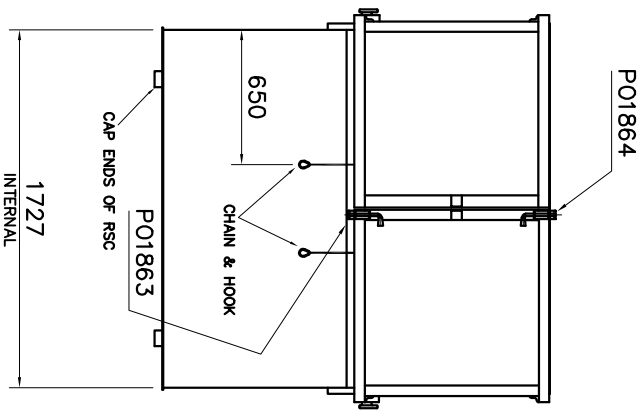
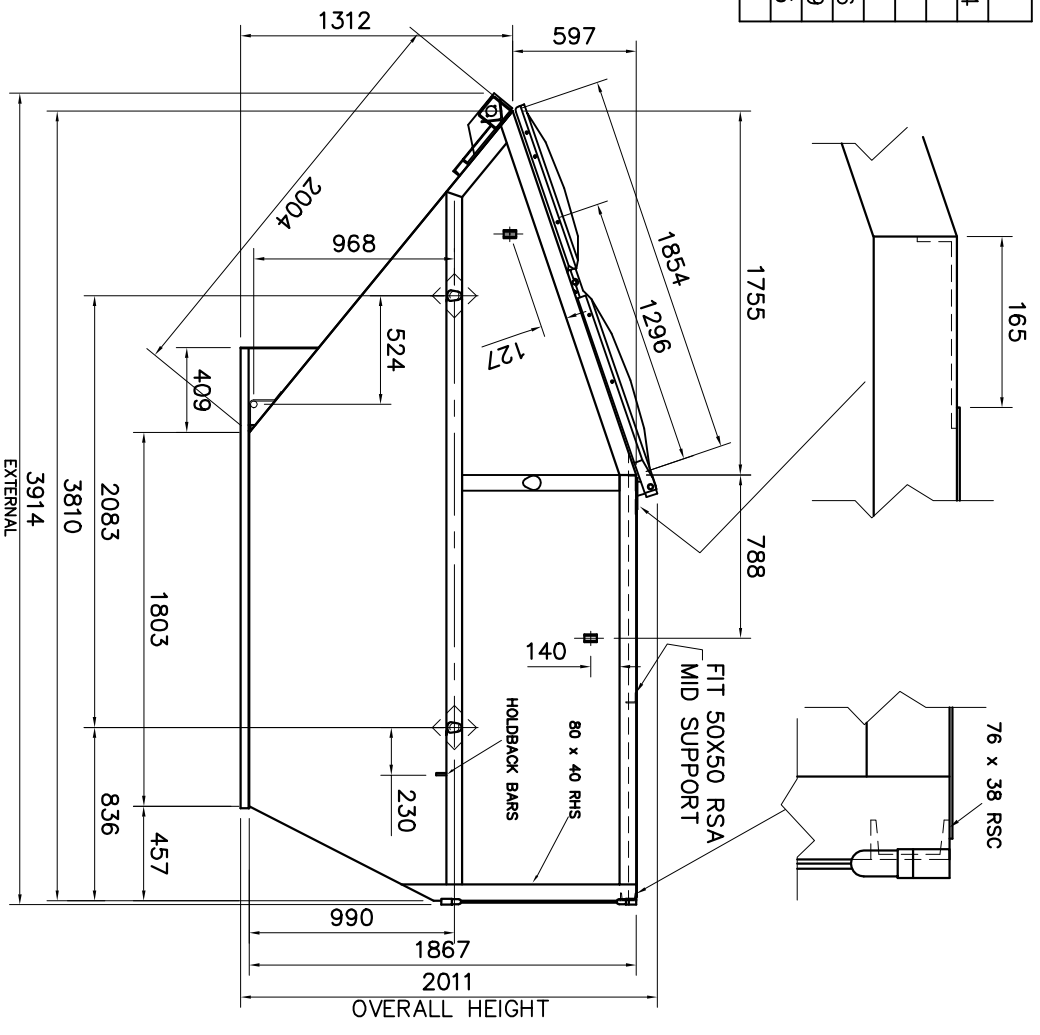


OPTIONS		
ITEM	OPTION	DRG.No.
1	FIXED PINS	REL2544
5	PLASTIC LIDS	REL2636
6	BIG BITE LUG	REL2549
	YES/NO DRAIN HOLES	REL2515
	YES/NO FULLY WELD ALL CHANNELS	



DESCRIPTION	DRG.No.
PLATE DETAILS	REL2547B
SECTION DETAILS	REL2547C
TIPPING BAR	REL2506A
REAR DOOR	REL2539A
PRESSED ROOF ANGLE	REL2310A



NOTE: - FULLY WELD ALL PLATES INSIDE & OUTSIDE  
 FULLY WELD LUG CHANNELS, STITCH WELD ALL OTHERS  
 FULLY WELD PIVOT ASSEMBLY TO FRONT PLATE.



ENGINEERING LIMITED  
 CHADDERTON . OLDHAM  
 LANCASHIRE

This drawing is the property of Sellers Engineering Ltd and must not be copied, reproduced or used for any purpose whatsoever, except that for which it is supplied without the express written consent of the company. We reserve the right to alter this drawing without notice.

REV.	1	2	3	4	5	DATE	DATE	DATE	DATE	DATE	DATE
INITIAL											
FCR											
REV.	6	7	8	9	10						
DATE											
INITIAL											
FCR											

QTY:	SCALE 1: 25	PROJECTION	ORDER No. :	DATE	DATE	DRAWING NAME :
						12 CU YD ENCLOSED - LIDDED
						REL CONTAINER
						CLIENT :
						DRG. No. : REL2547 / 1
						/ 5 / 6
						SHT REV
						A O

D:\DWGS\REL\2547A