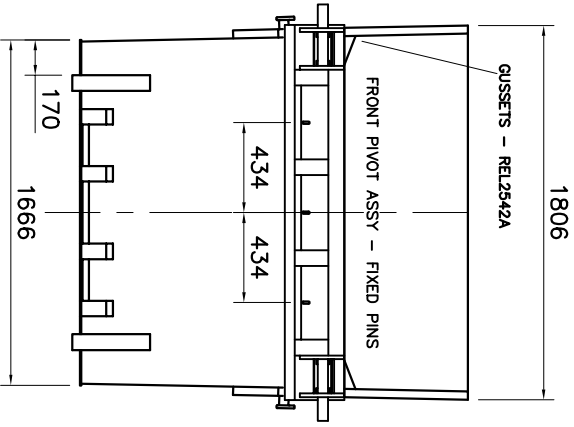


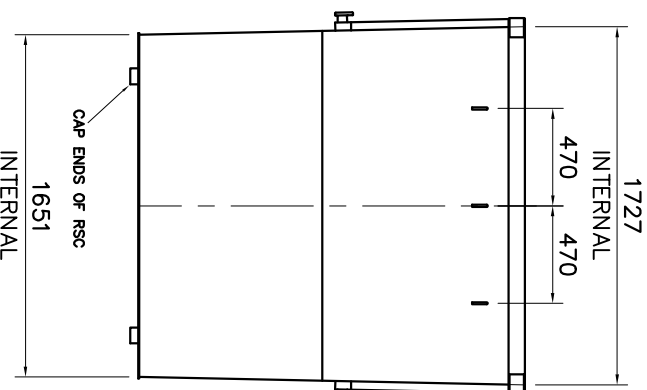
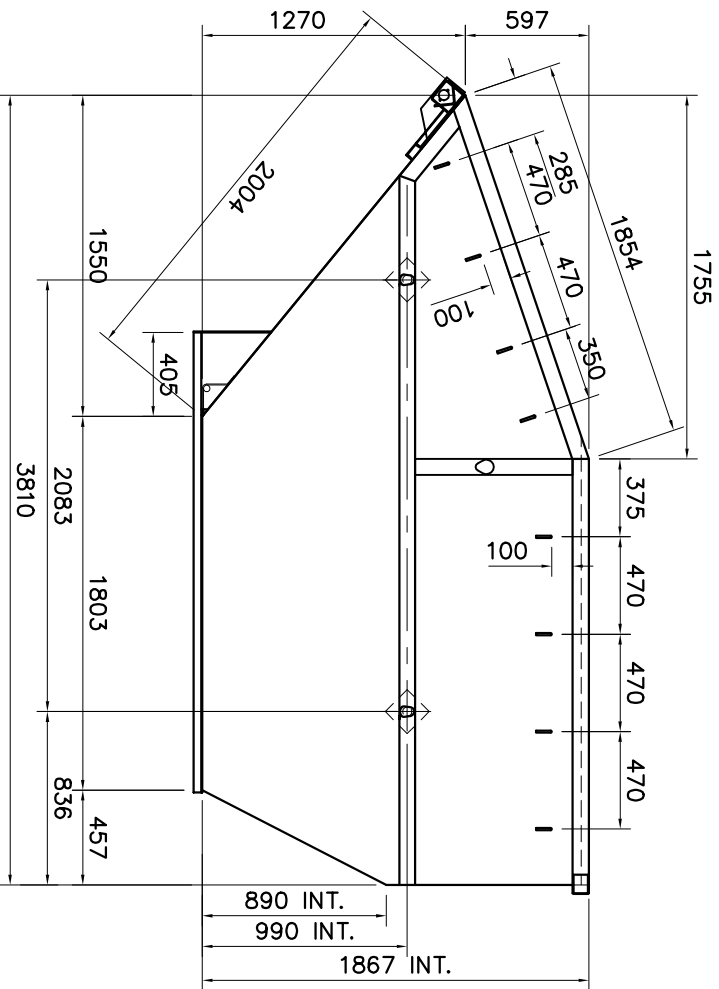
OPTION No	OPTION	DRG.No.
1	FIXED PINS	REL2631
6	BIG BITE LUG	REL2548
	YES/NO DRAIN HOLES	REL2515
	YES/NO FULLY WELD ALL CHANNELS	

OPTIONS



FIXED ITEMS

DESCRIPTION	DRG.No.
PLATE DETAILS	REL2564B
SECTION DETAILS	REL2564C
TIPPING BAR	REL2506A



NOTE: - FULLY WELD ALL PLATES INSIDE & OUTSIDE
 FULLY WELD LUG CHANNELS, STITCH WELD ALL OTHERS
 FULLY WELD PIVOT ASSEMBLY TO FRONT PLATE.

F:\STDREL\2564A

SELLERS ENGINEERING LIMITED
 CHADDERTON . OLDHAM
 LANCASHIRE

This drawing is the property of Sellers Engineering Ltd and must not be copied, reproduced or used for any purpose whatsoever, except that for which it is supplied without the express written consent of the company. We reserve the right to alter this drawing without notice.

REV.	1	2	3	4	5
DATE					
INITIAL					
ECR					
REV.	6 <td>7 <td>8 <td>9 <td>10 </td></td></td></td>	7 <td>8 <td>9 <td>10 </td></td></td>	8 <td>9 <td>10 </td></td>	9 <td>10 </td>	10
DATE					
INITIAL					
ECR					

QTY:	SCALE 1: 25	DATE	DATE
		PB	21\02\97
		A.K.	21\02\97

ORDER No :
 DRAWING NAME :
 CLIENT :
 DRG. No. : REL2564 / 1

SH	REV
A	0