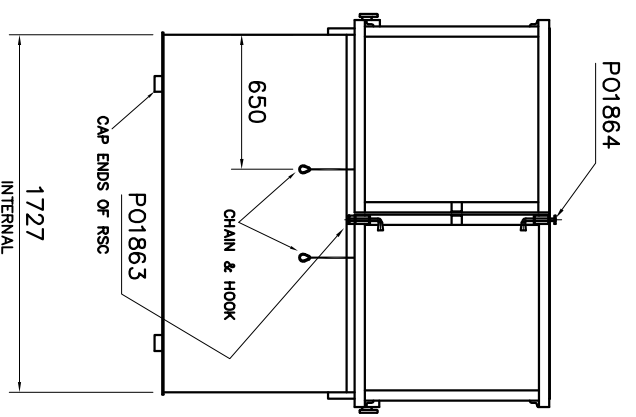
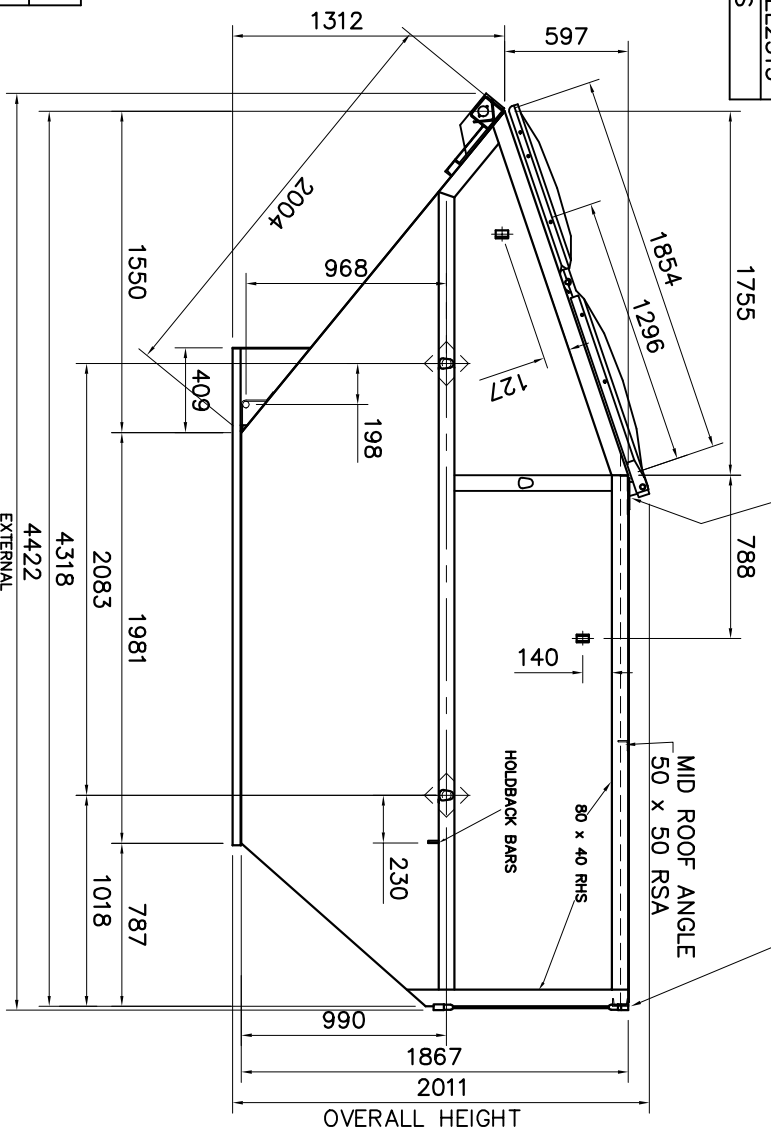
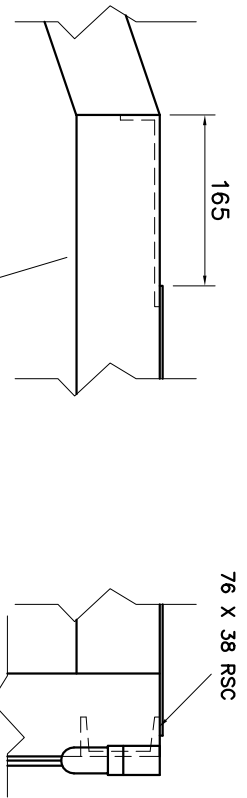
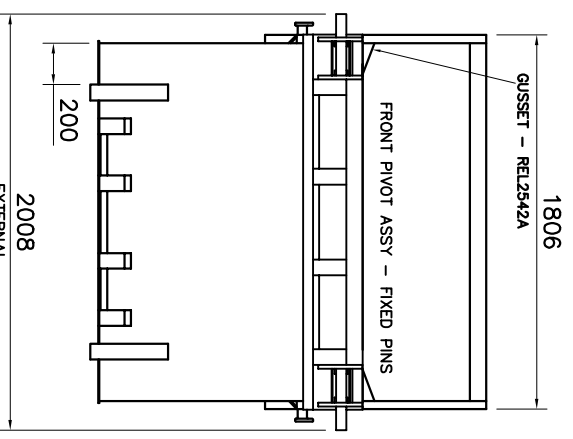


OPTIONS			
OPTION No	OPTION	DRG.No.	
1	FIXED PINS	REL25444	
5	PLASTIC LIDS	REL2636	
6	BIG BITE LUG	REL2549	
	YES/NO DRAIN HOLES	REL2515	
	YES/NO FULLY WELD ALL CHANNELS		



FIXED ITEMS	
DESCRIPTION	DRG.No.
PLATE DETAILS	REL2546B
SECTION DETAILS	REL2546C
TIPPING BAR	REL2506A
REAR DOOR	REL2539A
PRESSED ROOF ANGLE	REL2310A

NOTE: - FULLY WELD ALL PLATES INSIDE & OUTSIDE  
 FULLY WELD LUG CHANNELS, STITCH WELD ALL OTHERS  
 FULLY WELD PIVOT ASSEMBLY TO FRONT PLATE.

F:\STDREL\2546A

**SELLERS**  
 ENGINEERING LIMITED  
 CHADDERTON · OLDHAM  
 LANCASHIRE

REV.	1	2	3	4	5	6	7	8	9	10
DATE										
INITIAL										
ECR										
REV.										
DATE										
INITIAL										
ECR										

QTY:	SCALE 1: 25	PROJECTION	ORDER No :	DATE	DATE	DRAWING NAME :
						14 CU YD ENCLOSED - LIDDED
						REL CONTAINER
						CLIENT :
						DRG. No. : REL2546 / 1
						/ 5/6
						SHT REV
						A O

This drawing is the property of Sellers Engineering Ltd and must not be copied, reproduced or used for any purpose whatsoever, except that for which it is supplied without the express written consent of the company. We reserve the right to alter this drawing without notice.