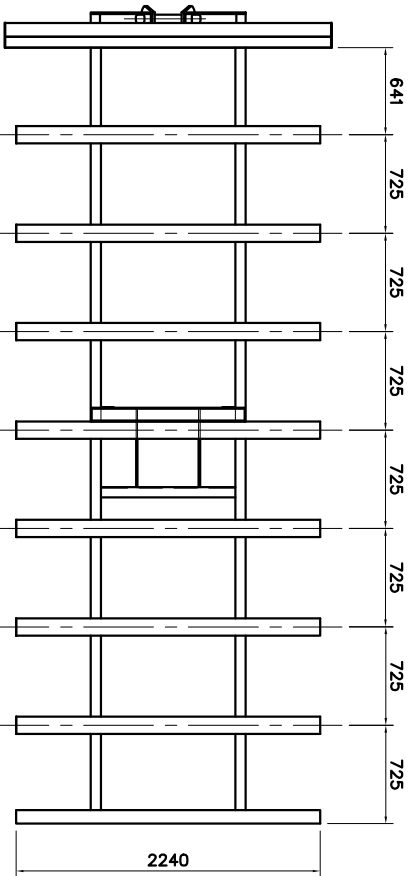
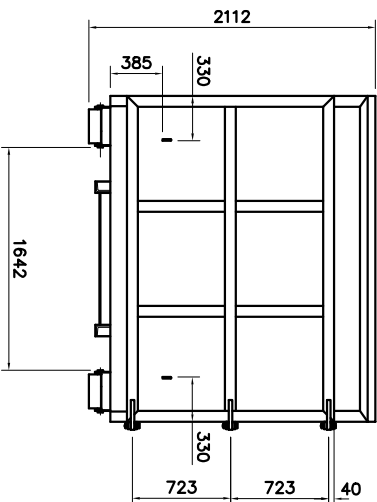
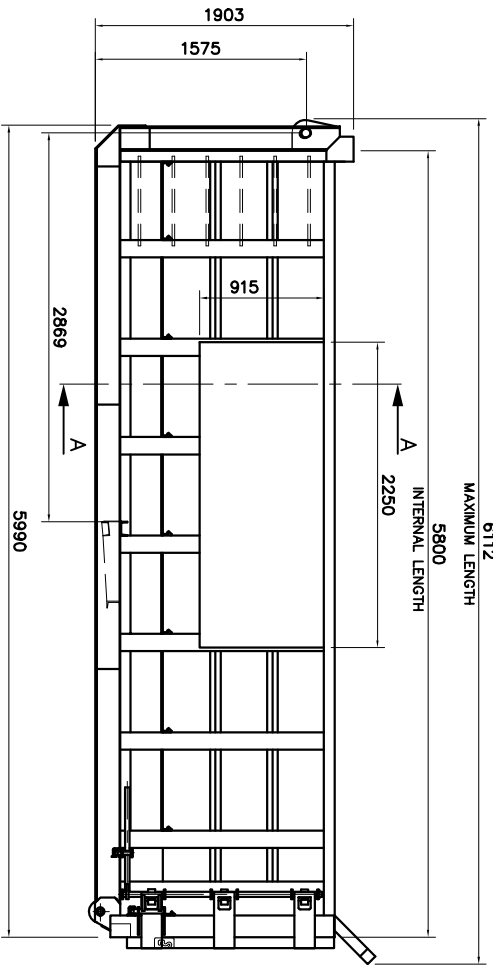
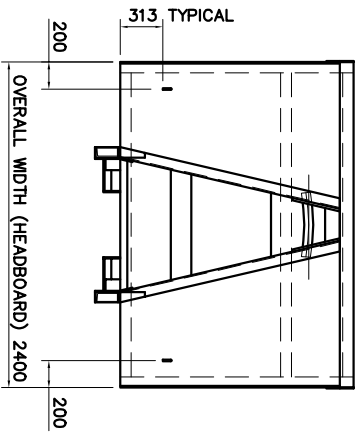
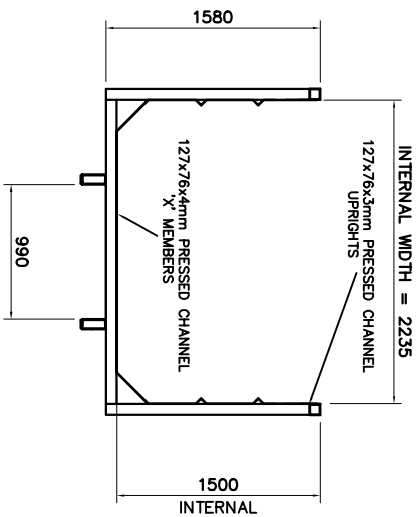


DIMENSIONS IN MILLIMETRES EXCEPT WHERE NOTED



PLAN VIEW ON 'X' MEMBERS



SECTION A-A

SUB-ASSEMBLY	DRAWING NUMBER
7 X 3 SUB FRAME	HOOK-SUB_FRM-180X75005A
HEADBOARD	HOOK-HEADBD-26YHB02A
REAR CRADLE	HOOK-REARCRD-25YCR02A
BODY	HOOK-BODY-25YBD05A
SINGLE DOOR	HOOK-REARDR-25YSI02A
SINGLE DOOR LOCKING	HOOK-LOCKING-25YLK04A
STANDARD HINGES	HOOK-HINGES-HNG1A
250 STANDARD ROLLERS	HOOK-ROLLERS-250M001A
LADDER OFFSIDE FRONT	HOOK-LADDER-25YLD02A
LABYRINTH CATCH	MISC-X9373D
SIGNBOARD	SIGN-SD303

REV.	DATE	BY	CHKD	APPD
1	14/03/2000	CH	CH	
2				
3				
4				
5				



ENGINEERING LIMITED
CHADDEVERTON · OLDHAM
LANCASHIRE

This drawing is the property of Sellers Engineering Ltd and must not be copied, reproduced or used for any purpose whatsoever, except that for which it is supplied. We reserve the right to alter this drawing without notice.

QTY:	ORDER No :	DRAWING NAME :	SHT
SCALE 1: 27		25 CUYD OPEN CONTAINER	REV
PROJECTION	NAME	HEAVY DUTY - G.A.	A
	DATE	CLIENT : IRWELL STREET METAL	1
	DRAWN	DRG. No. : U25Y008	
	KIR		
	CHECKED		
	AK		
	24/11/98		
	24/11/98		

F:\HOOK\U25Y008A