

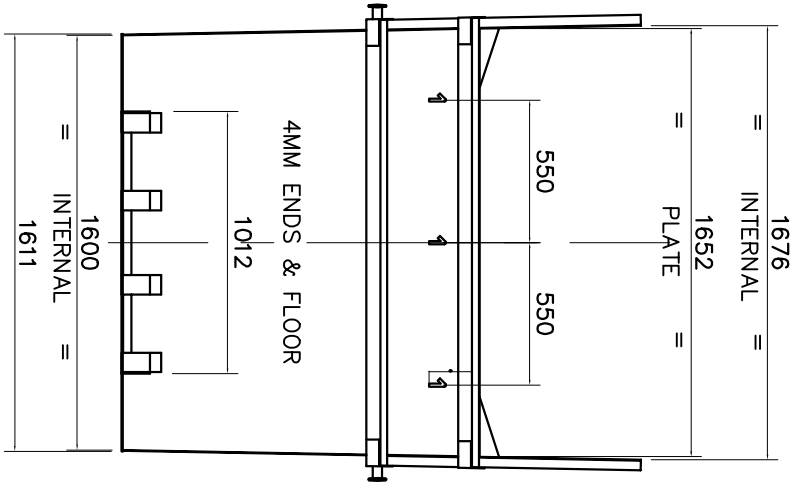
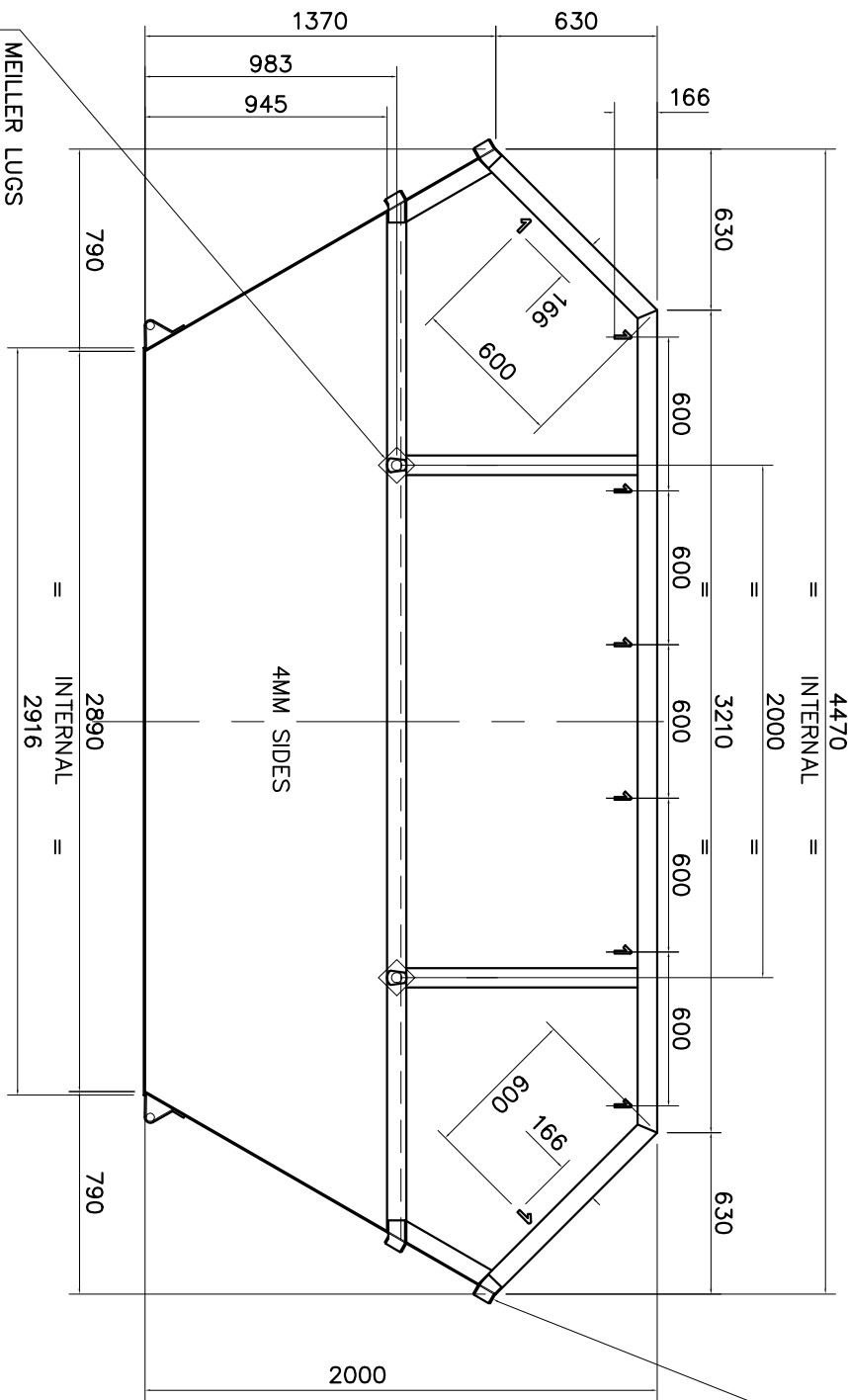
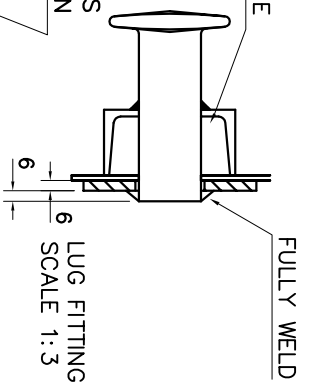
YES/NO	DESCRIPTION	DRG.No.
	DRAIN HOLES	
	SIGNWRITING	
	FULLY WELDED (IF NO, SEE NOTES)	

DESCRIPTION	DRG.No.
PLATE DETAILS	16YSK01B
CHANNEL DETAILS	16YSK01C
TIPPING BAR	SKTIP01A

OPTIONS
DIMENSION IN MILLIMETRES EXCEPT WHERE NOTED
FIXED ITEMS

NOTES: FULLY WELD ALL PLATES INSIDE & OUT
FULLY WELD LUG CHANNELS, STITCH WELD OTHERS.

FIT WRAP AROUND PLATES
TO EACH JOINT AS SHOWN



ENGINEERING LIMITED
CHADDERTON . OLDHAM
LANCASHIRE

This drawing is the property of Sellers Engineering Ltd and must not be copied, reproduced or used for any purpose whatsoever, except that for which it is supplied without the express written consent of the company. We reserve the right to alter this drawing without notice.

REV.	1	2	3	4	5
DATE	08/07/2002	14/04/2003			
INITIAL	C.H.	C.H.			
ECR	0002/02	0023/03			
REV.	6	7	8	9	10
DATE					
INITIAL					
ECR					

QTY:

ORDER No :

DRAWING NAME :
16 CUYD BUILDERS D.E.T. SKIP
4MM PLATE

SCALE	1: 20
PROJECTION	
DRAWN	GD 18/07/1997
CHECKED	A.K. 18/07/1997

CLIENT :
DRG. No. : 16YSK01

SHT	REV
A	2

F:\STDSKIPPS\16YSK01A