

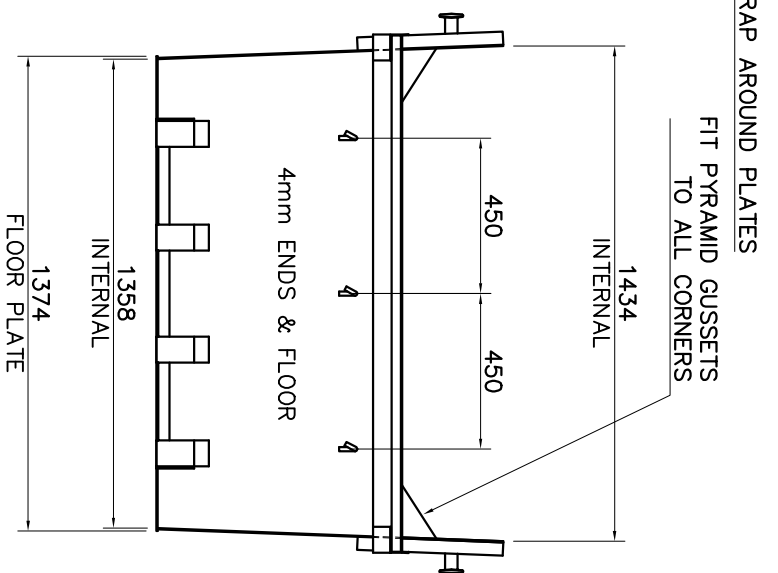
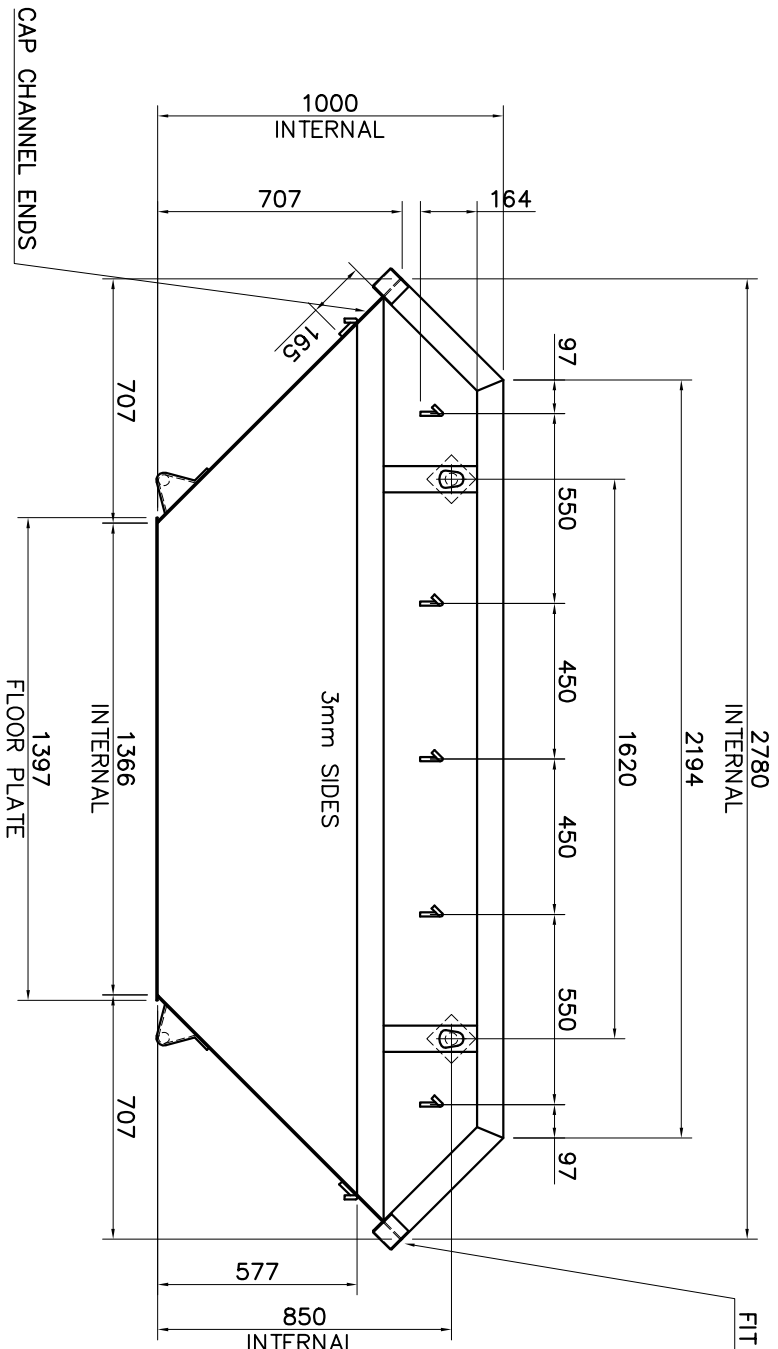
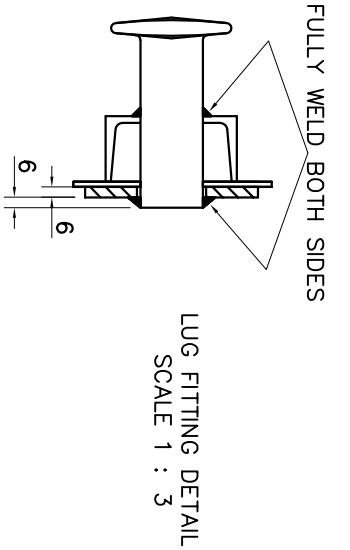
OPTIONS

| YES/NO | DESCRIPTION | DRG.No. |
|--------|---------------------------------|---------|
| | DRAIN HOLES | |
| | SIGNWRITING | |
| | FULLY WELDED (IF NO, SEE NOTES) | |

DIMENSION IN MILLIMETRES EXCEPT WHERE NOTED
FIXED ITEMS

| DESCRIPTION | DRG.No. |
|-----------------|-----------|
| PLATE DETAILS | 04YYSK01B |
| CHANNEL DETAILS | 04YYSK01C |
| TIPPING BAR | SKTIP01A |

NOTES. FULLY WELD ALL PLATES INSIDE & OUT
FULLY WELD LUG CHANNELS & TOP OF MID HORIZONTAL CHANNEL
STICH WELD OTHERS



ENGINEERING LIMITED
CHADDERTON . OLDHAM
LANCASHIRE

| | | | | | | | | | | | | | | | | | | | | | | | | | | | | | | | | | | | | | | |
|--------|---------------|--------------|--------|------|---------|--------|------|---------|--------|------|---------|--------|------|---------|-------------|--------------|------------|--------|-------|---------|---------|------|----------|--------|----------|---------|----------------------------|------|------------------------|--|----------|--|---------------------|--|-----|--|-----|--|
| REV. 1 | DATE 09/04/98 | INITIAL A.K. | REV. 2 | DATE | INITIAL | REV. 3 | DATE | INITIAL | REV. 4 | DATE | INITIAL | REV. 5 | DATE | INITIAL | REV. 6 | DATE 01/7/99 | INITIAL | REV. 7 | DATE | INITIAL | REV. 8 | DATE | INITIAL | REV. 9 | DATE | INITIAL | REV. 10 | DATE | INITIAL | | | | | | | | | |
| QTY: | | | | | | | | | | | | | | | SCALE 1: 15 | | PROJECTION | | DRAWN | | CHECKED | | DATE | | DATE | | ORDER No. : | | DRAWING NAME : | | CLIENT : | | DRG. No. : 04YYSK01 | | SHT | | REV | |
| | | | | | | | | | | | | | | | | | | | AB | | A.K. | | 28/11/97 | | 28/11/97 | | 4 CUYD BUILDERS D.E.T SKIP | | F:\STD\SKIPS\04YYSK01A | | A | | 1 | | | | | |

This drawing is the property of Sellers Engineering Ltd and must not be copied, reproduced or used for any purpose whatsoever, except that for which it is supplied without the express written consent of the company. We reserve the right to alter this drawing without notice.