

DIMENSION IN MILLIMETRES EXCEPT WHERE NOTED

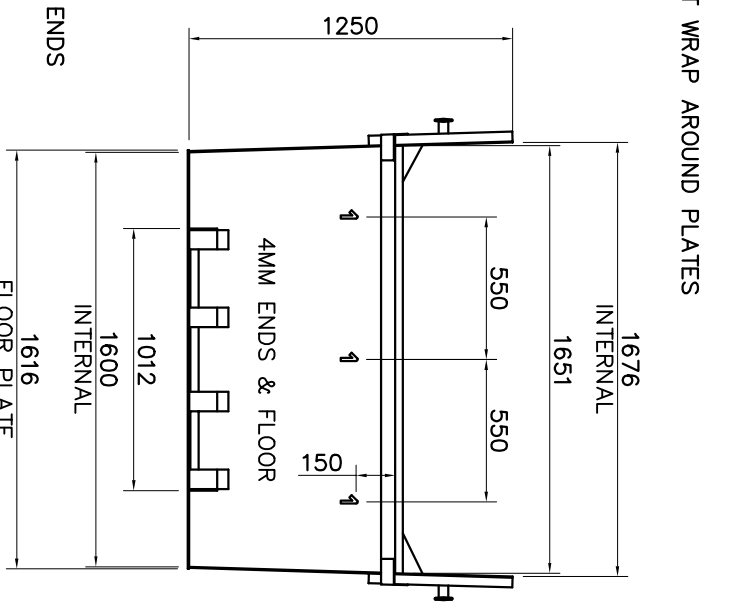
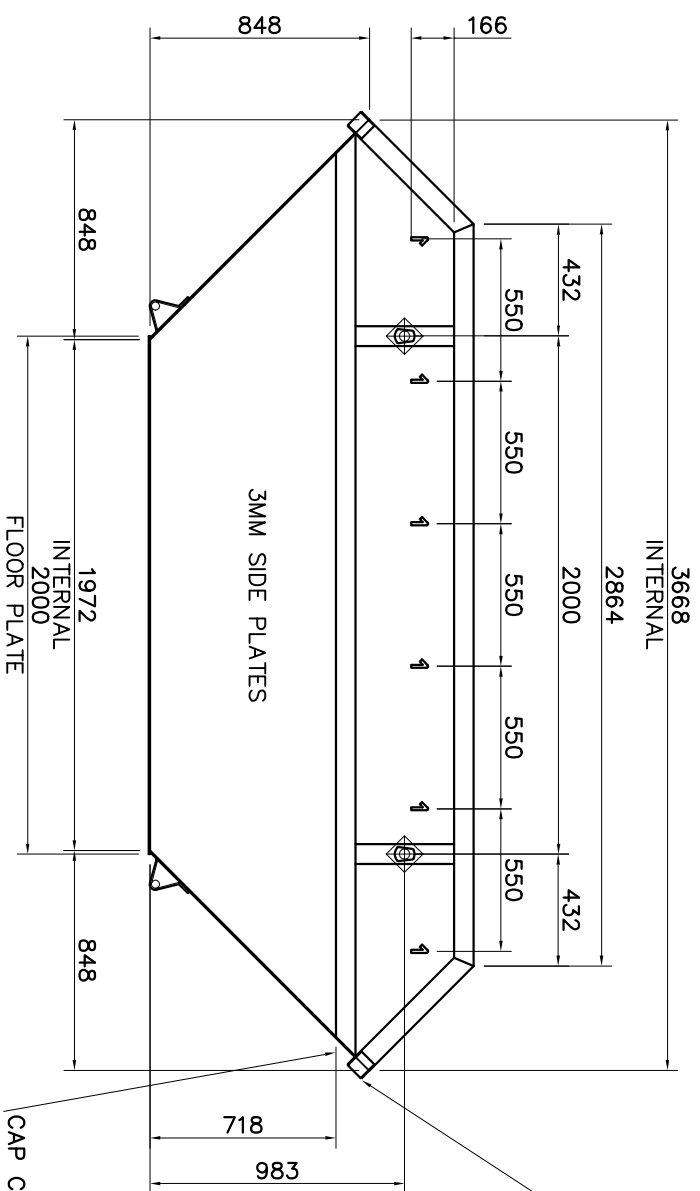
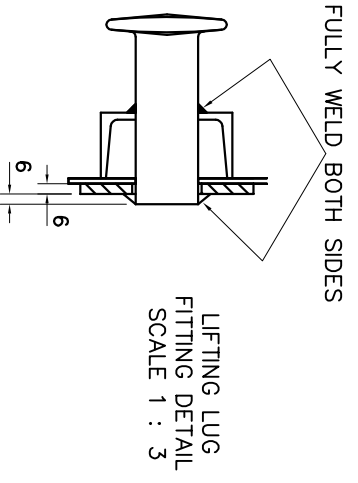
OPTIONS

YES/NO	DESCRIPTION	DRG.No.
	DRAIN HOLES	
	SIGNWRITING	
	FULLY WELDED (IF NO, SEE NOTES)	

FIXED ITEMS

DESCRIPTION	DRG.No.
PLATE DETAILS	8YSK01B
CHANNEL DETAILS	8YSK01C
TIPPING BAR	SKTIP01A

NOTES: FULLY WELD ALL PLATES INSIDE & OUT
 FULLY WELD LUG CHANNELS & TOP OF MID HORIZONTAL CHANNEL
 STICH WELD OTHERS



ENGINEERING LIMITED
 CHADDERTON . OLDHAM
 LANCASHIRE

REV.	DATE	INITIAL	QTY:	SCALE	PROJECTION	ORDER No. :	DATE	DATE	CLIENT :	SHT	REV
1	14/05/98	A.K		1:20		DRAWING NAME : 8 CUYD BUILDERS D.E.T. SKIP	27/06/97	27/06/97	CLIENT :	A	
2											
3											
4											
5											
6	06/08/99										
7											
8											
9											
10											

F:\STD\SKIPS\08YSK01A

This drawing is the property of Sellers Engineering Ltd and must not be copied, reproduced or used for any purpose whatsoever, except that for which it is supplied without the express written consent of the company. We reserve the right to alter this drawing without notice.