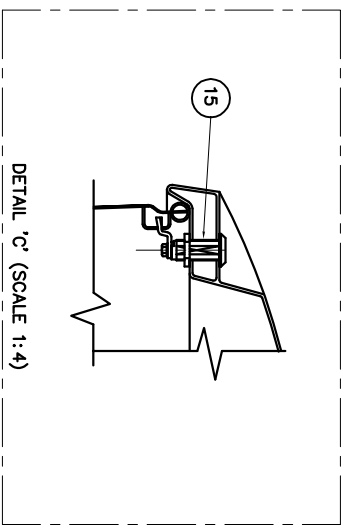
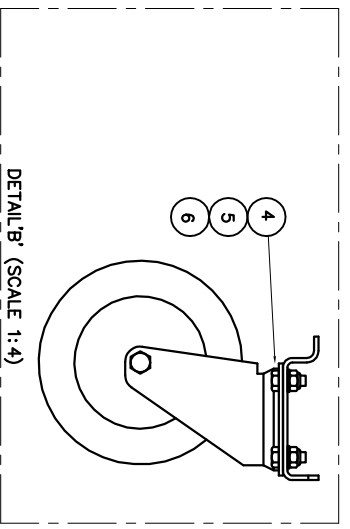
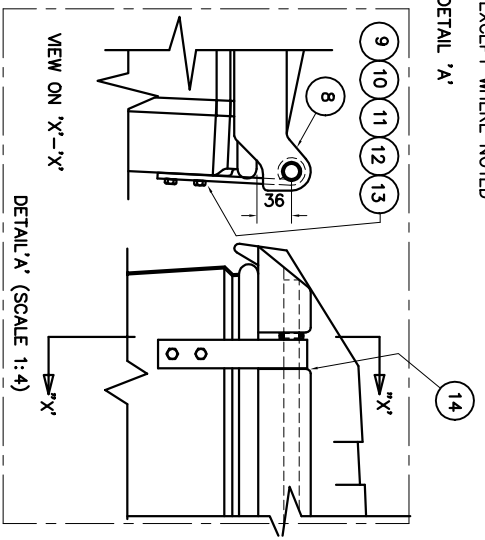
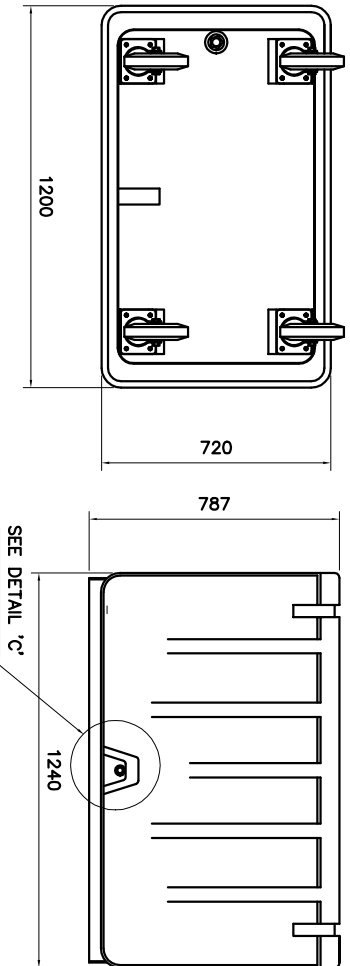
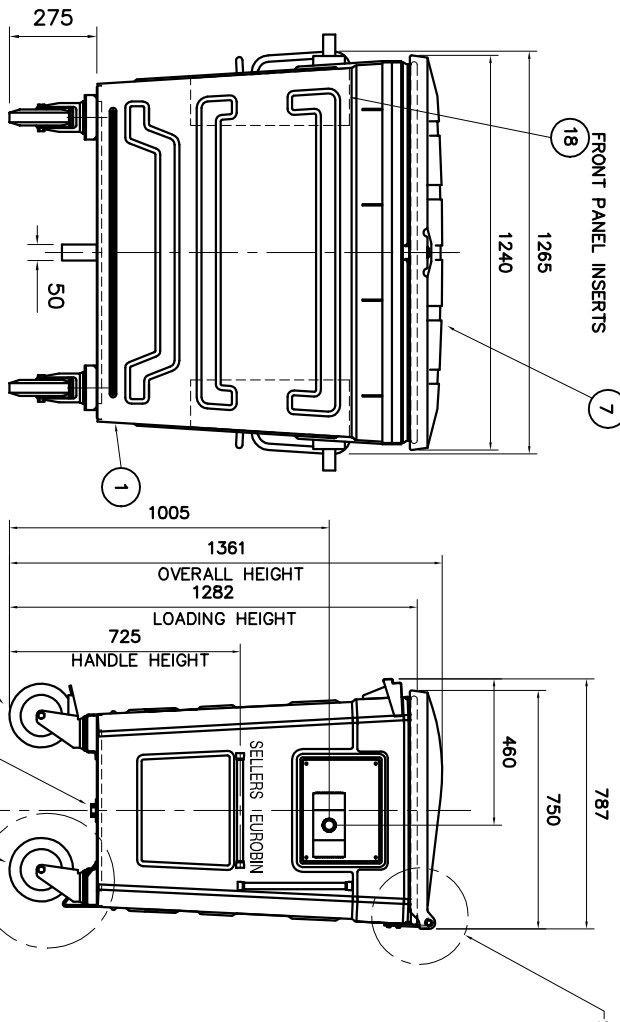


POLYETHYLENE PLASTIC LID

DIMENSIONS IN MILLIMETRES EXCEPT WHERE NOTED



ITEM No.	DESCRIPTION	DRG/PART No.	QTY
1	WELDED ASSEMBLY	770SA01A	1
2	CASTOR FRONT-SWL&BRKD	525206	2
3	CASTOR REAR - SWVEL	524406	2
4	M10 X 25 HEX HD BOLT	ZNC PLATED	16
5	M10 PLAIN WASHER	ZNC PLATED	16
6	M10 LOCKNUT	ZNC PLATED	16
7	LID (CONTAINER COMPONENTS)	ME4929D	1
8	HINGE BAR	1100D705A	1
9	HINGE	1100D730A	2
10	HINGE BACKING PLATE	1100D719A	2
11	M6 X 25LG HEX. HD. SCREW	ZNC PLATED	4
12	M6 PLAIN WASHER	ZNC PLATED	4
13	M6 LOCKNUT	ZNC PLATED	4
14	SELCC PIN 5 DIA X 26LG.	NATURAL	2
15	LID LOCK SUB-ASSY	1100SA52	1
16	DRAIN PLUG	PLASTIC	1
17	DIN LIFT SUB-ASSEMBLY	770SA03A	1
18	FRONT PANEL INSERTS	1100DDT124	2

SELLERS ENGINEERING LIMITED
 CHADDERTON, OLDHAM
 LANCASHIRE

REV. 1 DATE 20/04/08
 INITIAL AK
 ECR 0008/08

REV. 2
 REV. 3
 REV. 4
 REV. 5

REV. 6 DATE
 REV. 7
 REV. 8
 REV. 9
 REV. 10

This drawing is the property of Sellers Engineering Ltd and must not be copied, reproduced or used for any purpose whatsoever, except that for which it is supplied. The user shall indemnify and hold Sellers Engineering Ltd harmless from and against all claims, damages, losses and expenses, including reasonable attorneys' fees, which may be incurred by Sellers Engineering Ltd as a result of the use of this drawing without notice.

QTY: ORDER No : DRAWING NAME :
 SCALE 1: 12 C.H. 05/02/2002 EUROBIN 770 - MARK 2 - WITH COMBLIFT AND DINLIFT - G.A. DRAWING
 PROJECTION CHECKED A.B.S. 05/02/2002 DRG. No. : 770GA02

CLIENT :
 SHT REV
 A 1

F:\EUROBIN\770GA02A